



ARC Series

ARC Series

HIGH PERFORMANCE LOUD SPEAKERS

Features	2
Speaker Damage	2
EQ and Tone Controls	2
High Volume Warning	2
Installation Warning	2
Specifications	3
Grill and Tweeter Installation	4
Stereo wiring and operation	5
Bi-Amplified Installation	6
Warranty and Service	7

Thank you for choosing ARC Audio for your high performance mobile audio products. Your satisfaction is important to us. If you have any question or comments we welcome your call. An ARC Audio representative will be happy to help you.

Features

- Designed and engineered in the USA
- Bi-Ampable dynamic sound quality crossover design.
- ARC Series crossovers use high-end air core inductors.
- Heavy Duty high pressure aluminum cast CNC precision cut basket.
- Roahcell/Glass Fiber speaker cone.
- Progressive rate SPL linear spider.
- Open CNC vented rear spider and voice coil assembly eliminates back wave compression increasing the speakers linearity and stability at a wider frequency bandwidth.
- Ultra High Temperature precision wound copper voice coil and aluminum former for extended high demand listening.
- Low compliance poly butyl surround for balanced and linear sound at any volume level.
- High temperature reinforced speaker lead terminal with heavy gauge spade connectors.
- 28mm neo tweeter design features silk dome with wool dampened core design.
- High temperature reinforced resonant free tweeter cups with mounting hardware.

The ARC Audio "ARC" Series is the optimum balance of acoustical harmony and ultra High performance all wrapped up in a single design. Designed by ARC Audios acoustical engineering division, ARC Series speakers use only today's most advanced and durable acoustical materials and components allowing users a cost friendly solution that will give any enthusiast an unparalleled musical experience in their vehicle.

Emphasizing sonic characteristics traditionally found in the finest home and pro audio component systems, ARC Series coaxial and component speaker systems create new levels of musical enjoyment and personalization placing emphasis on enhanced midbass and low frequency response, dynamically engineered midrange for rich, natural and pronounced vocals and instrumentation while efficiently enhancing upper frequencies with finesse and dynamic performance giving you the most value possible in stepping up your systems acoustical and performance capabilities.

ARC Series Speakers are available in component and coaxial systems in a broad range of sizes from 5.25", 6.5" and 6"x9" configurations. ARC Series component systems include air core inducted hi end performance based audiophile quality Bi-Ampable crossover networks while the Coaxial systems include pig tail crossover networks allowing all ARC Series coaxial systems to be ran in traditional configurations and Bi-Ampable active configurations.

Caution:

Most speaker damage occurs as a result of amplifier distortion referred to as "Clipping". Clipping occurs when an amplifier is driven beyond its rated maximum rated power output. This type of distortion can be hard to hear unless you know what to listen for. Anytime you hear a harsh, ear piercing sound at high volume you amp is probably clipping badly.

EQ and Tone Controls:

Turning up an EQ or Tone Control is just like turning up the volume except it only affects a small range of frequencies. If you go into your radio and add 1 "click" to the high frequencies they will distort or "Clip" 1 click of the volume earlier than the midrange and bass. The result can be tweeter damage. Use EQ and Tone controls with caution.

Warning:

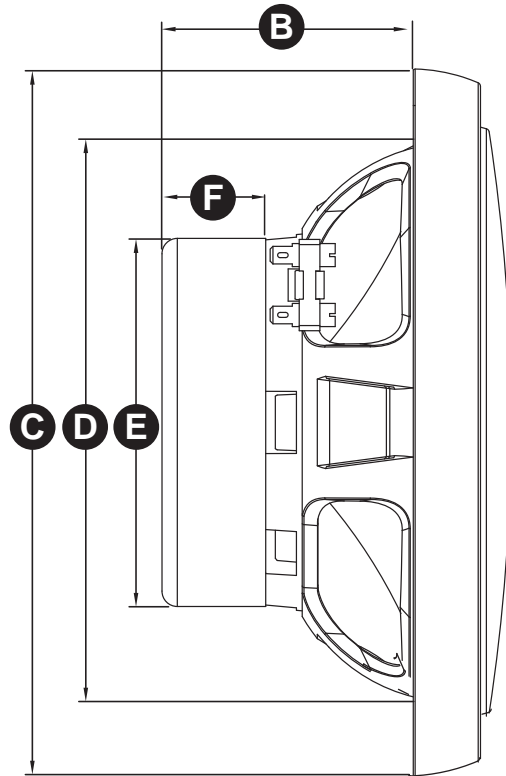
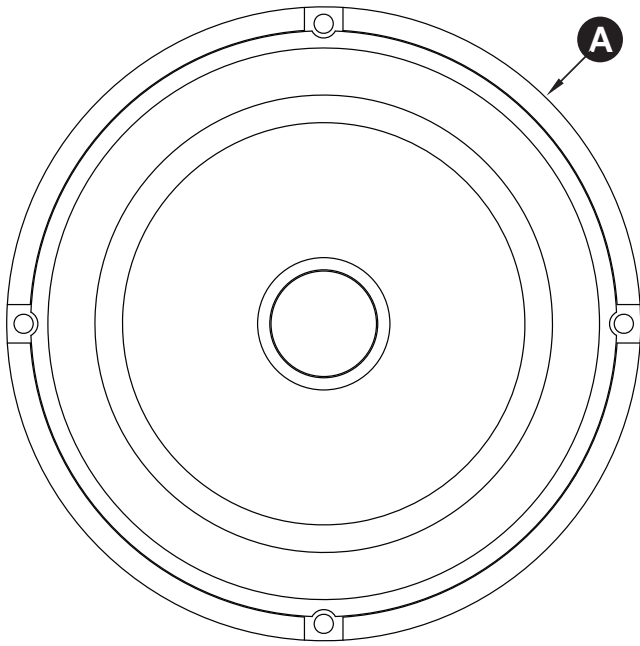
We build all ARC Audio products to play at high volumes for extended periods of time. Your ears however are not designed for high volume listening. This product can easily generate volumes that can permanently damage your hearing. We urge you to limit your exposure to very high volume sound. You may also find your state has laws governing the volume of an audio system in a car. Please be aware of all local and state laws in your area. A properly tuned and operated audio system will deliver years of enjoyment when used properly.

More Warnings:

Please check the suitability of the installation location before you begin. Do not cut any of the car's structure. Pay close attention to what is behind the panels or carpet. Often the manufacture will hide wires, computers or other electronic devices in the exact areas you wish to install in. If you do not have experience with automotive electrical and mechanical systems contact a professional installer. Paying a qualified installer is almost always cheaper than paying a dealership to repair your car.

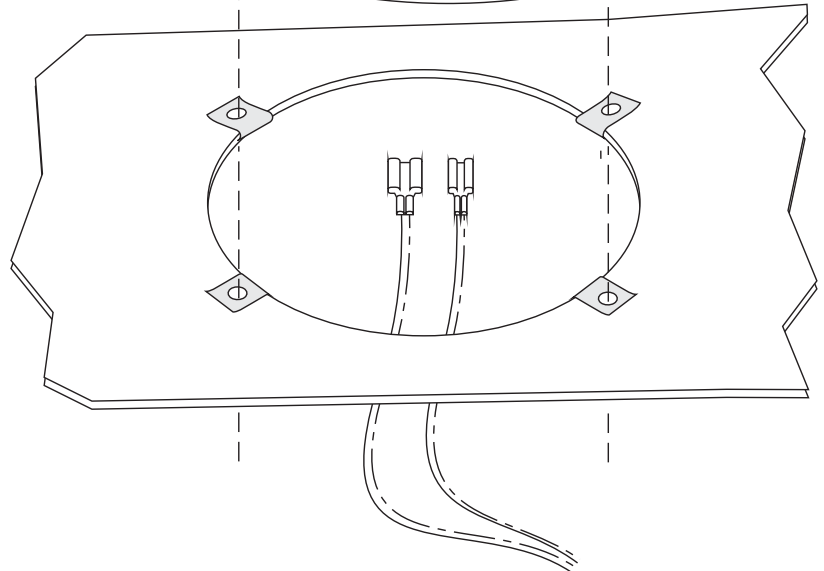
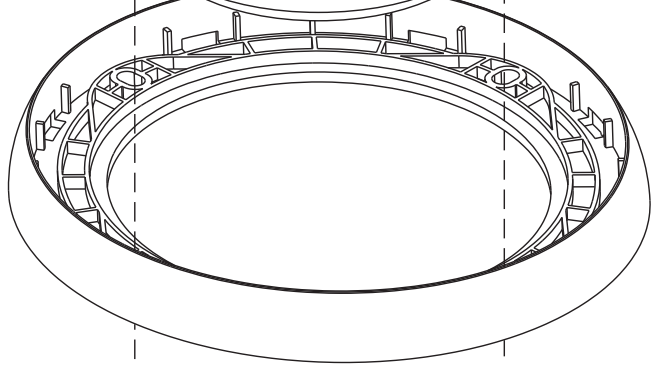
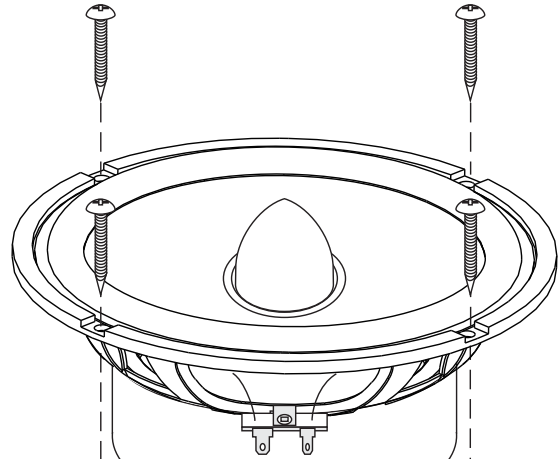
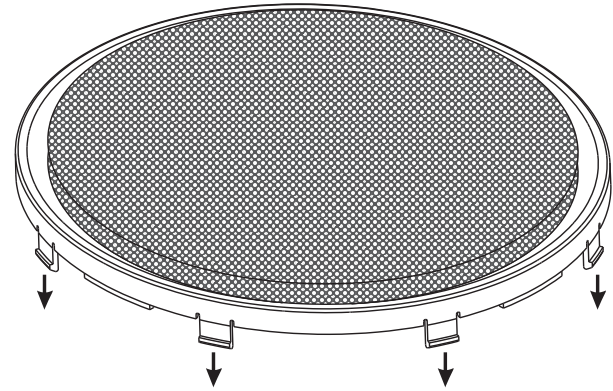
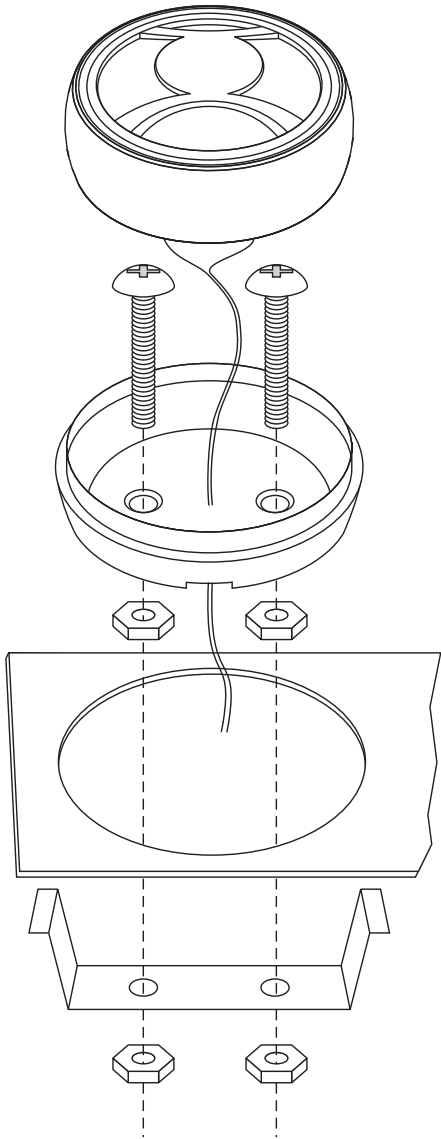
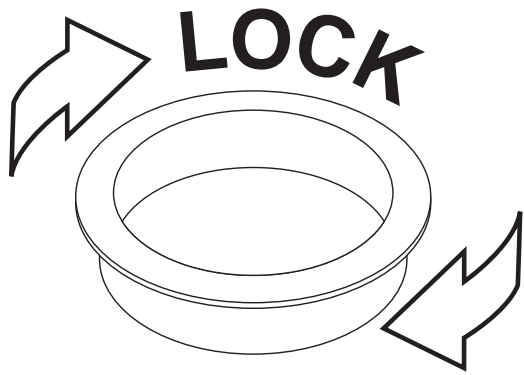
You must connect all the components in this system as shown in the manual. Failure to do so will almost surely result in damage to these speakers which is NOT covered under warranty.

Do NOT substitute any components for those supplied in this system. You CAN NOT add any extra speakers to the crossover network supplied with this system.

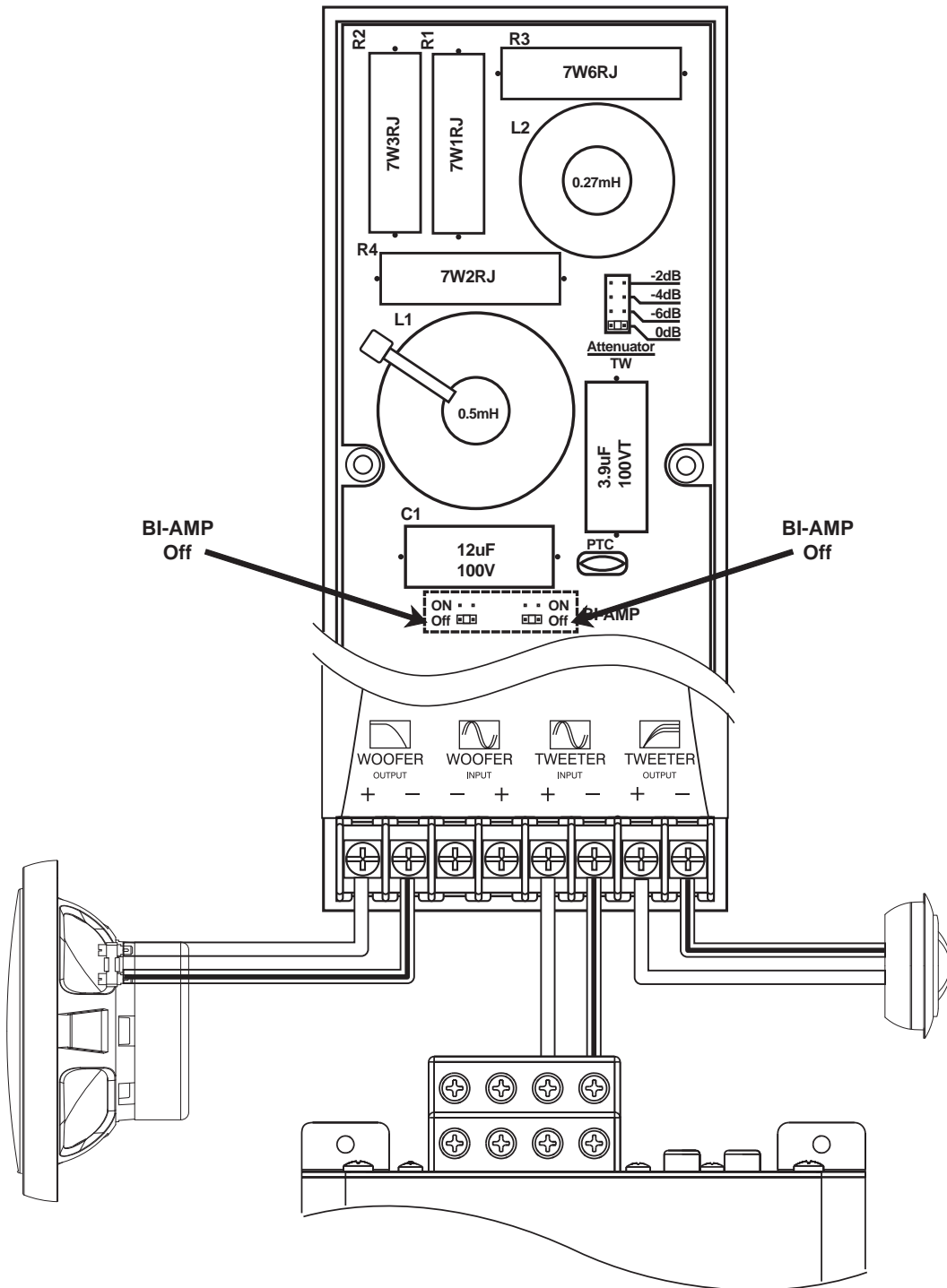


	ARC 502	ARC 602	ARC 5.2	ARC 6.2	ARC 692
Basket Diameter (A)	5 1/2"	6 1/2"	5 1/2"	6 1/2"	6 3/8" X 9 1/4"
Mounting Depth (B)	2 1/4"	2 9/16"	2 1/4"	2 9/16"	3 1/2"
Grill Diameter (C)	6 1/2"	7 1/4"	6 1/2"	7 1/4"	10 9/16" X 7 1/8"
Cutout Diameter (D)	4 11/16"	5 9/16"	4 11/16"	5 9/16"	USE GRILL AS TEMPLATE
Magnet Diameter (E)	3 1/2"	3 13/16"	3 1/2"	3 13/16"	4 5/8"
Magnet Height (F)	1"	1"	1"	1"	1 1/8"

	ARC 502	ARC 602	ARC 5.2	ARC 6.2	ARC 692
Power Handling (Music)	90 WATTS	150 WATTS	180 WATTS	250 WATTS	160 WATTS
Power Handling (RMS)	45 WATTS	75 WATTS	90 WATTS	125 WATTS	80 WATTS
Frequency Responce	70Hz -20KHz	50Hz -20KHz	70Hz -20KHz	50Hz -20KHz	50Hz -20KHz
Sensitivity	87dB	88dB	87dB	88dB	89dB
Impedance	4 Ω	4 Ω	4 Ω	4 Ω	4 Ω
Tweeter Diameter	28mm	28mm	28mm	28mm	28mm



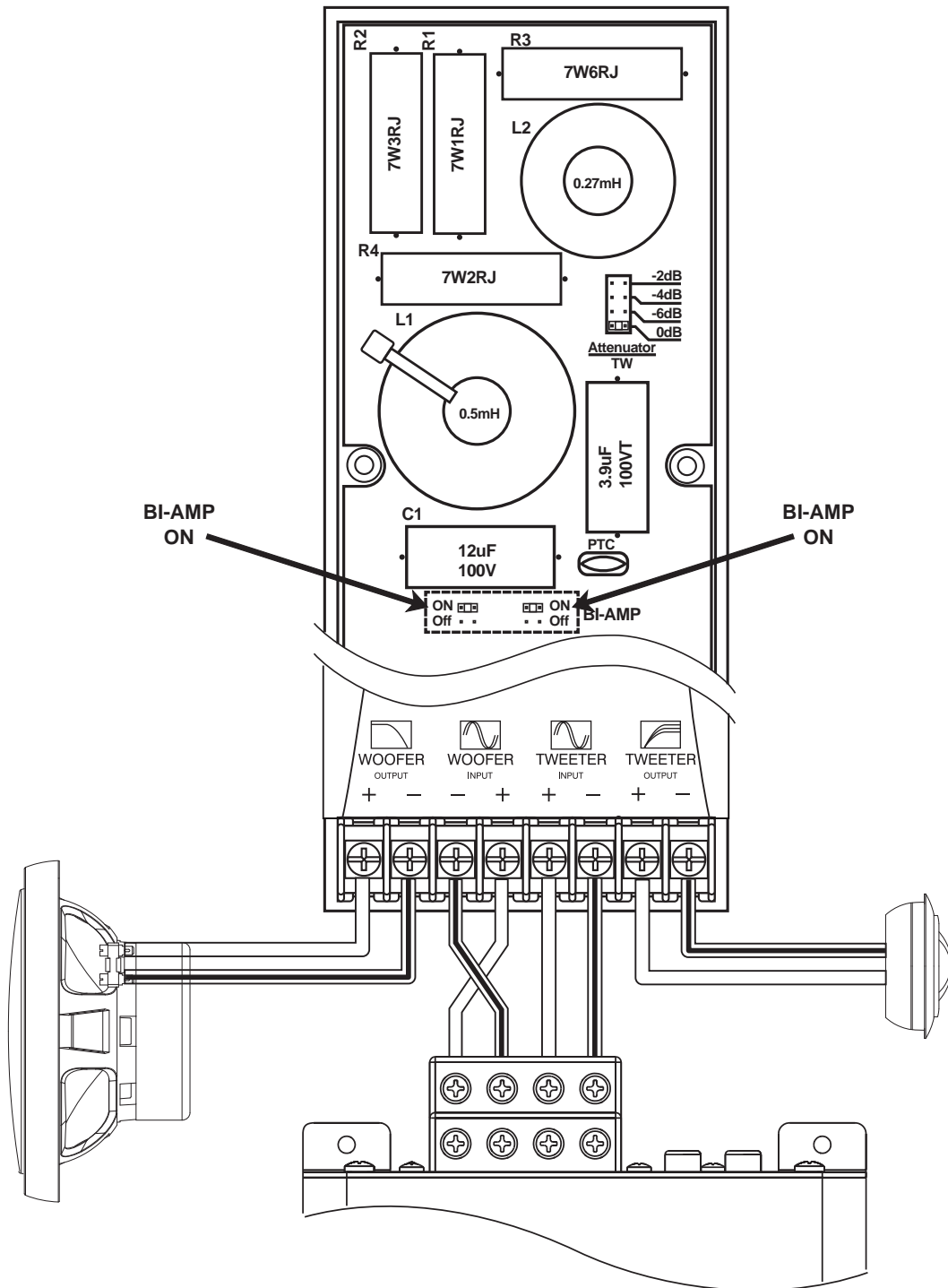
STANDARD SINGLE CHANNEL OPERATION



NOTE

The ARC Series Crossover is capable of being BI-AMPLIFIED. Bi-amping allows each speaker to be driven by it's own amplifier channel. For **SINGLE CHANNEL** operation the jumpers must be installed as shown above.

BI-AMPLIFIED OPERATION



NOTE

The ARC Series Crossover is capable of being BI-AMPLIFIED. Bi-amping allows each speaker to be driven by its own amplifier channel. For **BI-AMP** operation the jumpers must be installed as shown above.

ARC AUDIO WARRANTY AND SERVICE GUIDELINES

Note to International Customers-

For warranty and repair service outside of the USA, please send your product directly to your countries authorized Arc Audio distributor for your service needs. As a customer you do have the option to send your product directly back to the factory in the USA but you will be responsible for "ALL" shipping costs, taxes, and duties to and from the USA. Return shipping charges and fee's must be paid by Credit Card with a signed credit card authorization form prior to the return shipment. This includes shipping cost, customs fee's, duties, local and government import/export tax's, broker's fee's and any other misc. fee's that could be added by your local government or other international agencies. International warranty shipments will not be accepted without a proper return authorization number and/or sales receipt documentation.

ARC AUDIO warrants all new products against defects in material and workmanship for a period of ONE (1) YEAR from the original date of purchase from an AUTHORIZED ARC AUDIO RETAILER.

This warranty is not transferable and applies only to the original retail purchaser of the product from an authorized ARC AUDIO retailer. Upon inspection by ARC AUDIO should services be necessary under this warranty for any reason due to manufacture defects ARC AUDIO will, at its sole discretion, repair or replace the defective product with new or similar conditioned product at no charge.

THIS WARRANTY DOES NOT COVER INSTALLATION OR DAMAGE RESULTING FROM ACCIDENT, MISUSE, ABUSE, IMPROPER WIRING, OPERATION OUTSIDE OF UNIT OUTSIDE OF MANUFACTURES SPECIFICATIONS, OR AGAINST INSTRUCTIONS IN OWNERS MANUAL. IN ADDITION ANY PRODUCT THAT HAS BEEN OPENED, TEMPERED WITH OR MODIFIED, OR IF ANY SERIAL NUMBERS HAVE BEEN REMOVED OR ALTERED WILL NOT BE COVERED BY ANY PART OF THE MANUFACTURES WARRANTY.

All warranty returns should be sent to ARC AUDIO freight prepaid and must be accompanied by proof of purchase (a copy of the original sales receipt). Direct returns from consumers or non-authorized retailers will be refused unless specifically authorized by ARC AUDIO with a valid return authorization number.

All warranty returns must be packed in original packaging and be accompanied by a copy of the original printed sales receipt. Product damaged in shipment due to improper packaging will not be covered under this warranty and the customer or retailer will be charged full cost to repair the specific piece of product back to a like new or similar condition.

In no event will ARC AUDIO be liable for incidental, consequential, or other damages resulting from the use of this product, this includes but is not limited to, damage of hearing, property or person, damage based upon inconvenience or on loss of use of the product, and to the extent permitted by law, damages for personal injury. This warranty gives you specific legal rights, and you may have other rights, which vary from state to state. This warranty applies to products sold and used in the United States of America. In all other countries please contact your distributor.

The following are examples of what is not covered under Arc Audio's warranty policy-

- Any Product that is missing or has altered/damaged Serial numbers
- Any Product that has been damaged as a result of physical abuse
- Any Product that has been modified or altered from its original form or design and/or repair has been attempted by unauthorized repair facilities.
- Any product that has been previously owned by another user and was sold private party. (Arc Audio's warranty policy is not transferable to third party or second hand users)
- Any product purchased from ANY form of online marketplace (web sites, EBay or similar auction site, web site talk forum sales, etc)
- Any product not purchased at a brick and mortar authorized store front location.
- Any Speaker or Subwoofer that has been damaged to over-powering causing burnt voice coils and/or mechanical failures such as ripped spiders or surrounds.
- Product that has not been installed as per manufacture recommendations including wiring and installation related damage to product.
- Cosmetic damage due to installation, shipping and handling, and normal wear and tear.
- Arc Audio will not be responsible for any product that has any kind of custom finish or customized cosmetic additions that differs from the original form as manufacture from Arc Audio.
- Products damaged by "Acts of God" (Flood, Fire, Infestations, etc.)

ARC Audio
4719 Greenleaf Cir #4
Modesto, CA 95356
Tel: 866-258-0288

