

MX-1

Manual

MADE IN USA

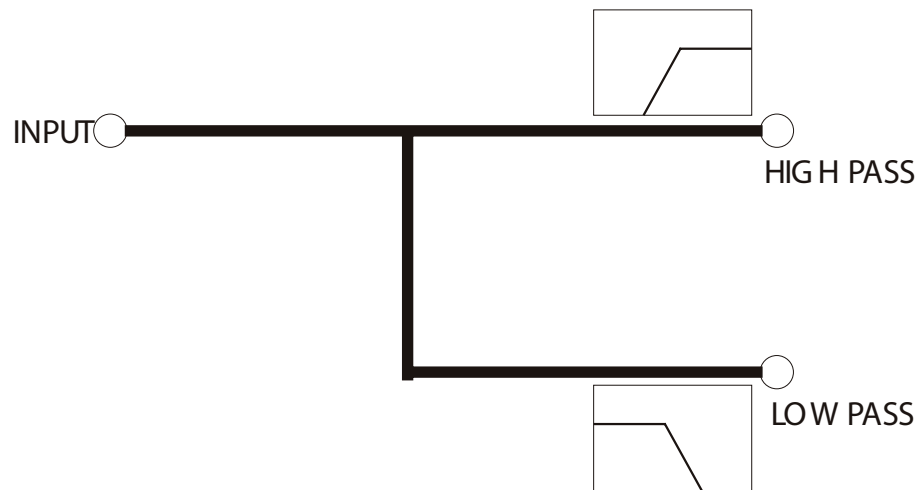
What is the Mx1 ?

Thank you for purchasing a ARC AUDIO product ! The MX1 is an extremely flexible dual output electronic crossover. Each output has its own crossover frequency adjustment. The configurations are Low pass and high pass filter with high quality gold plated RCA sockets for input and output.

Key Features

- 2 Way Active Crossover.
- Independently Adjustable Crossover Points (Fine tuning).
- Phase 0° or 180° Selectable for Low Pass Filter.
- Selectable 12dB (Stereo) or 24dB Slope(Mono) for Low Pass Filter.
- Dual Frequency Range 55Hz~600Hz or 550Hz~ 6KHz for Low Pass and High Pass.

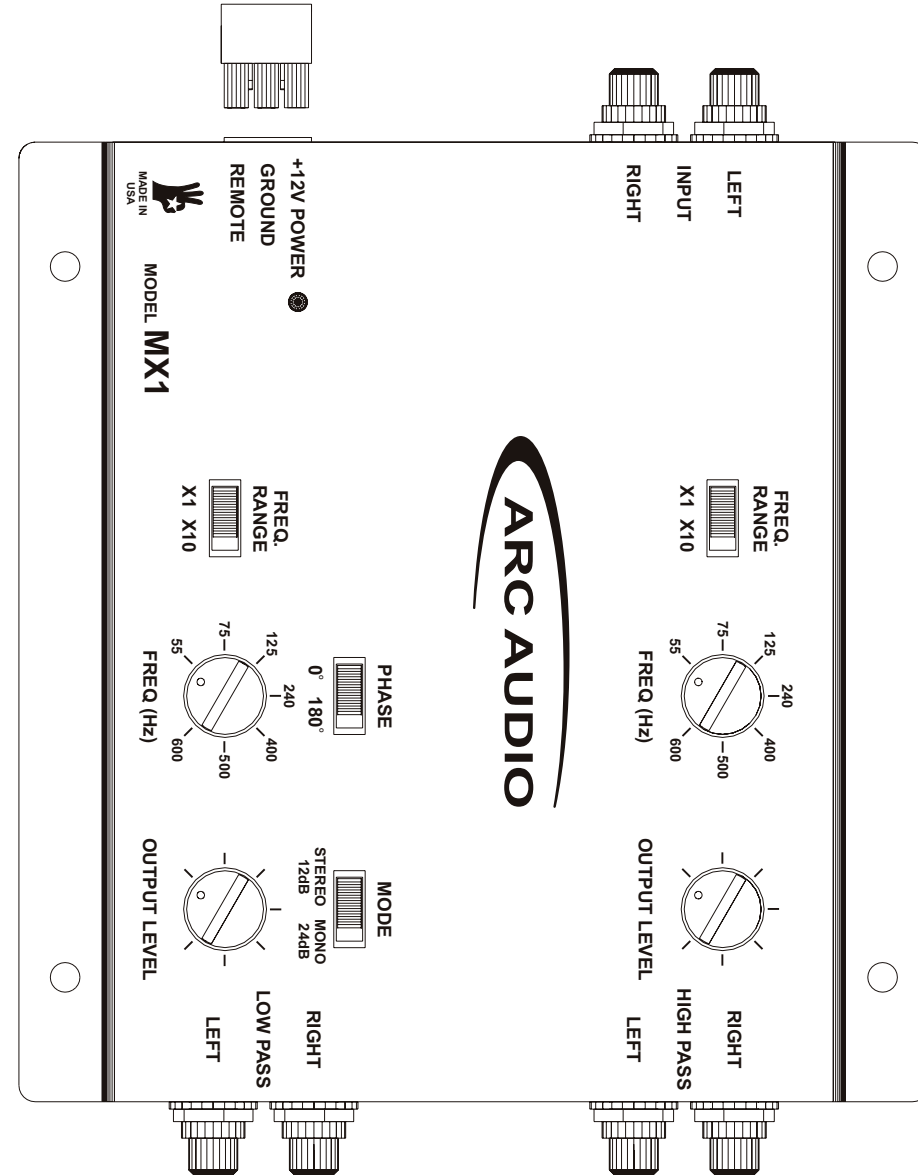
Functional Diagram



Notes

- When mono switch is selected the low pass output automatically switch to 24dB slope.
- Use two pieces of MX1 can be configured as a three way active crossover. (take the high pass output signal from #1 MX1 and feed into the input of #2 MX1)
- Each output have an independent output level control.

Controls



Specifications

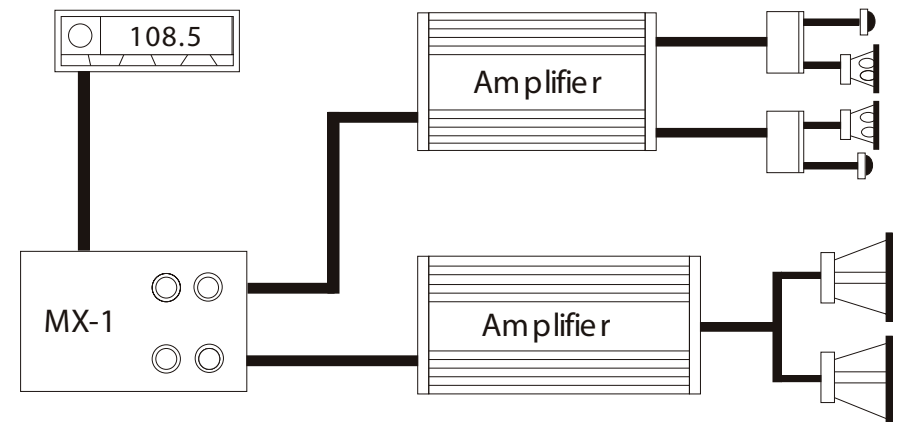
| | |
|----------------------|---|
| S/N Ratio | Low pass : 105 dB High pass : 119 dB |
| T.H.D. | 0.0026% |
| Stereo Separation | Low pass : 78 dB High pass : 75 dB |
| Input Type | RCA |
| Maximum Input Level | 4V |
| Maximum Output Level | 8V |
| Input Impedance | 39K Ω |
| Output Impedance | 56 Ω |
| Crossover Frequency | X1 : 55Hz~600Hz X10 : 550Hz~ 6KHz |
| Dimensions | 6-1/3" x 1-1/2" x 4-3/4" L x H x D |

Caution:

Continuous exposure to excessive sound pressure levels may cause permanent hearing loss. ARC AUDIO asks that you use common sense when setting volume levels.

Applications

EXAMPLE 1



EXAMPLE 2

