



www.Arcaudio.com

XDi

Full Range Hybrid Class D

HIGH PERFORMANCE AUDIO AMPLIFIER



OWNER'S MANUAL

ARC AUDIO WARRANTY

ARC AUDIO warranties all new XDi Amplifiers against defects in material and workmanship for a period of **ONE (1) YEAR** from the original date of purchase. **This warranty is not transferable and applies only to the original retail purchaser of the product from an authorized ARC AUDIO retailer.** Upon inspection by ARC AUDIO should services be necessary under this warranty for any reason due to manufacture defects ARC AUDIO will, at its sole discretion, repair or replace the defective product with new or similar conditioned product at no charge.

THIS WARRANTY DOES NOT COVER INSTALLATION OR DAMAGE RESULTING FROM ACCIDENT, MISUSE, ABUSE, IMPROPER WIRING, OPERATION OUTSIDE OF THE MANUFACTURES RECOMMENDATIONS OR SPECIFICATIONS, OR AGAINST INSTRUCTIONS IN THE OWNERS MANUAL. IN ADDITION ANY PRODUCT THAT HAS BEEN OPENED, TEMPERED WITH OR MODIFIED, OR IF ANY SERIAL NUMBERS HAVE BEEN REMOVED WILL NOT BE COVERED BY ANY PART OF THE MANUFACTURES WARRANTY.

All warranty returns should be sent to ARC AUDIO freight prepaid and must be accompanied by proof of purchase (a copy of the original sales receipt). Direct returns from consumers or non-authorized retailers will be refused unless specifically authorized by ARC AUDIO with a valid return authorization number.

All warranty returns should be packed in original packaging and must be accompanied by a copy of the original sales receipt. Product damaged in shipment will not be covered under this warranty. The customer or retailer may choose to have this damage repaired at the normal "Out of Warranty" repair cost.

In no event will ARC AUDIO be liable for incidental, consequential, or other damages resulting from the use of this product, this includes but is not limited to, damage of hearing, property or person, damage based upon inconvenience or on loss of use of the product, and to the extent permitted by law, damages for personal injury. This warranty gives you specific legal rights, and you may have other rights, which vary from state to state. This warranty applies to products sold and used in the United States of America. In all other countries please contact your distributor

**For warranty and non-warranty repairs, send to:
ARC Audio**

4719 Green Leaf Cr. #4

Modesto CA, 95356

209-543-8706

REV 1.02 12-09-11



Thank you for purchasing an ARC Audio Hi-Performance Amplifier.

This ARC Audio amplifier uses a Full Range Class D architecture that significantly improves efficiency, lowers heat output and current draw. Don't be fooled by the small size. Class D amplifiers make more power for their size than traditional designs making installation a breeze without compromising storage space.

ARC Audio...**SOLID CONSTRUCTION for SOUND Car Audio Systems.**

Warning

We build all ARC Audio products to play at high volumes for extended periods of time. Your ears however are not designed for high volume listening. This product can easily generate volumes that can permanently damage your hearing. We urge you to limit your exposure to very high volume sound. You may also find your state has laws governing the volume of an audio system in a car. Please be aware of all local and state laws in your area. A properly tuned and operated audio system will deliver years of enjoyment when used properly.

Installation Instructions

ARC Audio XXD Amplifiers are designed for easy installation in your vehicle. To ensure proper operation of your new purchase, please follow the suggestions we have listed below:

Warning

Please check the suitability of the installation location before you begin. Do not cut any of the car's structure. Pay close attention to what is behind the panels or carpet. Often the manufacture will hide wires, computers or other electronic devices in the exact areas you wish to install in.

If you do not have experience with automotive electrical and mechanical systems contact a professional installer. Paying a qualified installer is almost always cheaper than paying a dealership to repair your car.

Locating the Amplifier

The amplifiers must be securely mounted to a solid surface. Please select a dry location in the trunk or passenger compartment only. Do not mount the amplifier to any area that may have excessive vibration (like the subwoofer box). Position the amplifier in an area that receives sufficient airflow for proper heat dissipation.

Supplying Enough Power

The Laws of Nature

Your amplifier Does NOT make power. It converts power, or current, from your car's electrical system and turns it into a high power musical energy. If the amp can't get all the power it needs it will not produce its full output. Your ARC Audio amplifier will produce Full output for longer than other amps on the market today. If the Voltage or Current drops too low even our amplifiers will drop below their rated output. Make sure your vehicle charging system is in good working order. Any Hi-Performance audio amplifier will increase the demand on your alternator and battery. If you are unsure have your charging system tested by a professional technician.

The Ground!!!

Warning: Read this Carefully

The ground wire should be connected directly to the chassis of your vehicle. Find a clear location close to the amplifier and remove all the paint and sound deadener. Use a #10 or larger screw to secure it. Never use seat belt bolts for grounding. Remember, the ground must carry the same high current as the positive power wire.

To reduce the risk of noise, run all signal cables away from any vehicle or power supply wiring.

Running the Cables

Carefully run the power and signal cables through the passenger compartment of the vehicle. Always use a rubber grommet to prevent the power wire from shorting and to reduce the risk of fire. A 8 gauge or larger wire should be used for power and ground connections. We recommend a fuse be installed on the power wire within 18 inches of the battery for safety.

Setting the Gains

So you're worried that your 8 Volt output head unit will be too much for the ARC Audio's 4 Volt input stage.

Don't Be

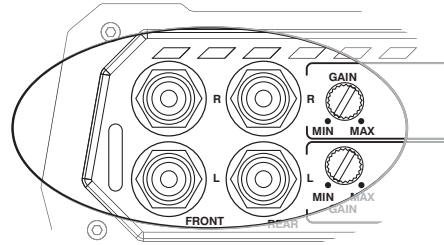
ARC Audio Amplifiers input stage is rated to 4 volts RMS @ 1KHz without clipping.

Music is very dynamic. Nothing like a 1KHz test tone. It would be rare to see a peak as high as a test tone. Furthermore, your head unit produces its output at full volume but when you tune your system you always set the head unit to 70% of maximum volume.

Input Section

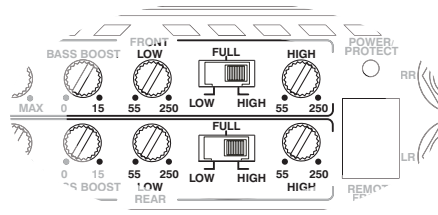
Because of the wide range of head unit output configurations all ARC Audio amplifiers have an adjustable input sensitivity or "Gain". The gain is not a volume or a power limiting control like a throttle. It makes the amp more sensitive to input from the stereo. With the gain up the amp will reach full output at a lower volume setting on the deck. At higher gain settings the amp also becomes more sensitive to noise from the car's electrical system. Try to run the gain at the lowest setting possible for your system.

There is no correct gain setting. Because speakers require different power demands to reach the same output, the gains most often need to be used to compensate for these differences. If you tried to set all the gains at half way you would probably find the system didn't sound very good. Using good judgment and listening carefully to each speaker is still the best way to tune a system.



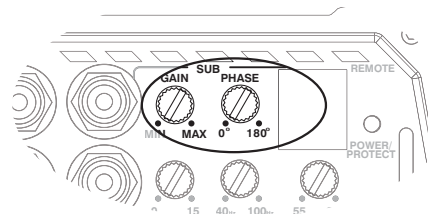
Crossover Controls

A crossover is a device that removes unwanted frequencies from a speaker or amplifier. A tweeter can easily be destroyed by bass notes if they are not filtered out. Likewise a subwoofer will not sound natural if it is playing midrange notes. A crossover removes these sounds from the speaker. As you might guess, careful adjustment is needed to ensure that all the speakers are playing the right sounds and that you are left with no "holes" or low spots in the frequency response.



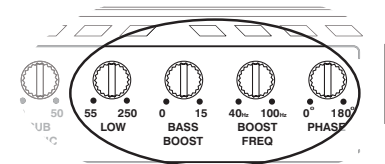
Phase Shift Control

"Timing is everything". In a typical stereo installation the mid bass speakers are in the front of the car between 3 to 5 feet from your ear. The sub woofer is all the way in the back, 9 to 12 feet away. Sometimes more. The **Phase** control can be used to compensate for this difference in distance by causing the sound from both speakers to arrive at your ear at the same time. This can really help bring the bass up front making the system sound more like a live performance.



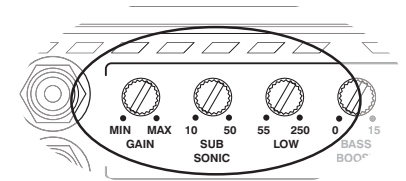
Bass Boost cont.

The XDi amplifier feature a **Quasi Parametric Bass EQ** Bass Boost with adjustments for both Boost Level and Boost Frequency. Begin your adjustments at low volume. Turn the Bass Boost Level control about 1/2 way up. Next, turn the Bass Boost Frequency up and down. This will take some tweaking but try to find the setting that gives you a richer and fuller sound without over working the subwoofer. Play several different kinds of music to test your adjustment. You may find you have to go back and make some changes and compromises to get it sounding right with an assortment of music. Use Bass Boost carefully. The demands on power output are tremendous. Try to minimize the use by changing woofer position or the enclosure size.



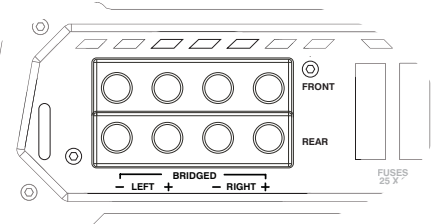
Subsonic Filter

A **Subsonic** filter acts like a crossover but at very low frequencies. It removes sounds that are so low in frequency that the speaker cannot reproduce them. You see the cone moving but hear no sound. This can be very hard on your woofer especially at high power. If you are using a ported subwoofer enclosure at high power you should use a Subsonic Filter to limit cone movement at very low frequencies.



Speaker outputs

This amplifier is a multi channel amplifier design. Meaning it has more than one channel of speaker outputs. It is equipped with a large block style terminal for speaker connection. Make this connection carefully and neatly. Strip your wire back and twist the exposed leads and insert them into the block terminal while being careful that there is no loose or frayed strands of wire and tighten the Allen head screw down on the terminal till the wire is tightly secured in place. If the wires ever come in contact with each other the amplifier will go into protection.



Know your total ohm load before you make any connections.

Installation Instructions

1. Before you start, disconnect the negative cable from the car battery. Tape up the end so it is isolated from the battery.
2. Run an appropriate gauge wire from the battery to the amplifier. Plan this part of the installation carefully. This cable will carry very high current. If it should short to the body and it is not properly fused it could catch fire.
3. Connect the power wire to the battery using a fuse capable of the total current load of all amplifiers connected. **Don't install the fuse yet.** Wait until the end. Locate the fuse as close as possible to the battery. If the fuse is further than 18 inches (wire length) from the battery you should reevaluate the wire and fuse placement.
4. Find the closest clear metal area to the amp for a ground. Sand, grind or scrape all paint and undercoating from the body and screw the ground securely in place.

It is advisable to test the ground with an ohmmeter between the ground cable and the negative battery cable to insure a good low resistance connection. Some alloys used in modern cars do not offer the best ground. If you believe this is the case consult with the vehicle manufacturer.

5. Run the speaker wire to the speakers. It is advised that you leave some extra wire at this point. You can "clean it up" later.
6. If you haven't already done so, mount the amp now.
7. Connect the power and ground to the amplifier.

Only after this step should you install the fuse at the battery.
8. Connect the remote wire from the head unit to the amplifier. Now is a good time to turn on the amp for the first time. Make sure it turns on properly and does not go into protection.

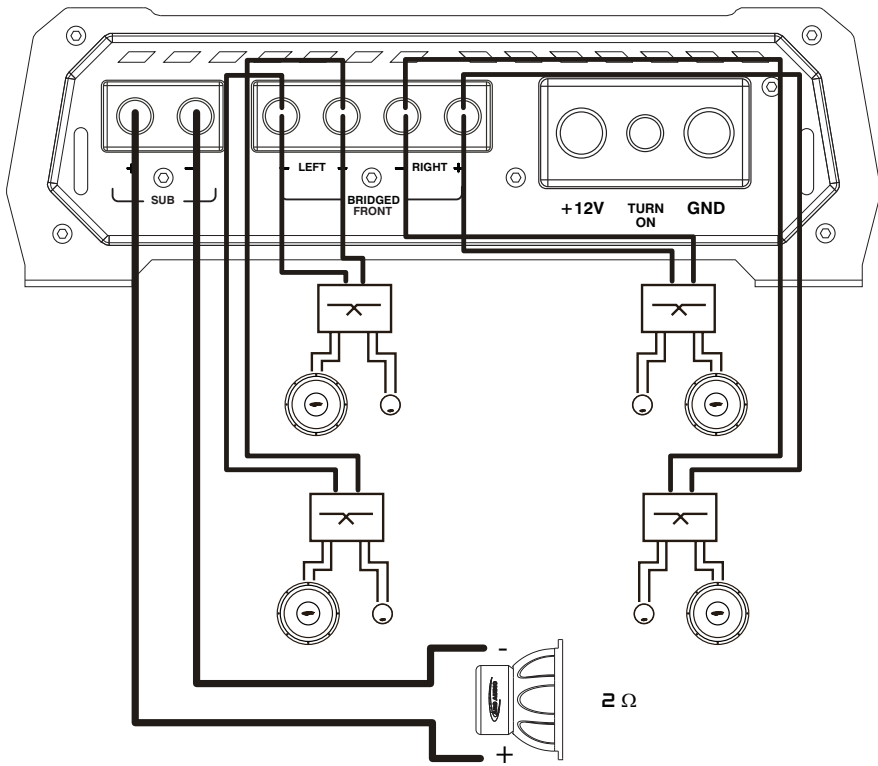
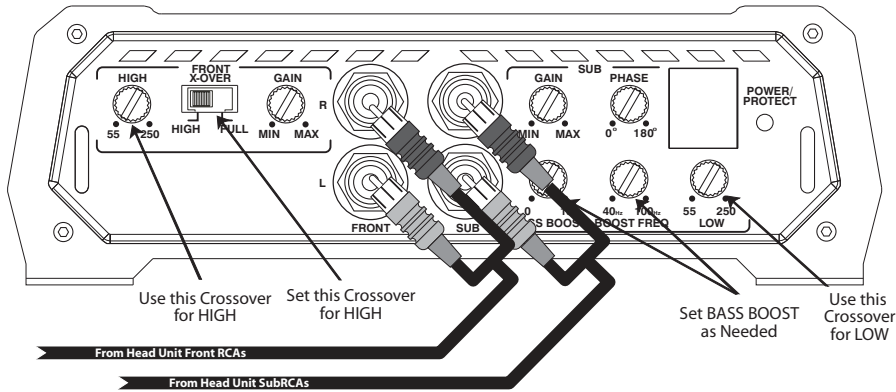
9. Connect the speaker wires to the amp and speakers (make sure the amp is off first). Make sure the polarity (+ and-) is correct.
10. Connect the RCA's to the amp.
11. Double check the amplifier controls at this time. Make sure everything is set correctly for your system.
12. Now you're ready to play it for the first time. It is best to leave the gain all the way down at first. Start with the head unit volume low and work your way up.
13. Now you can tune the amp. Take your time and make only one adjustment at a time. It may take some time to get the system fully adjusted. During this time the amp is drawing current from the battery. You should check the battery voltage from time to time and re-charge it if it gets low. That's it. You're done. Now have fun.

SPECIFICATIONS

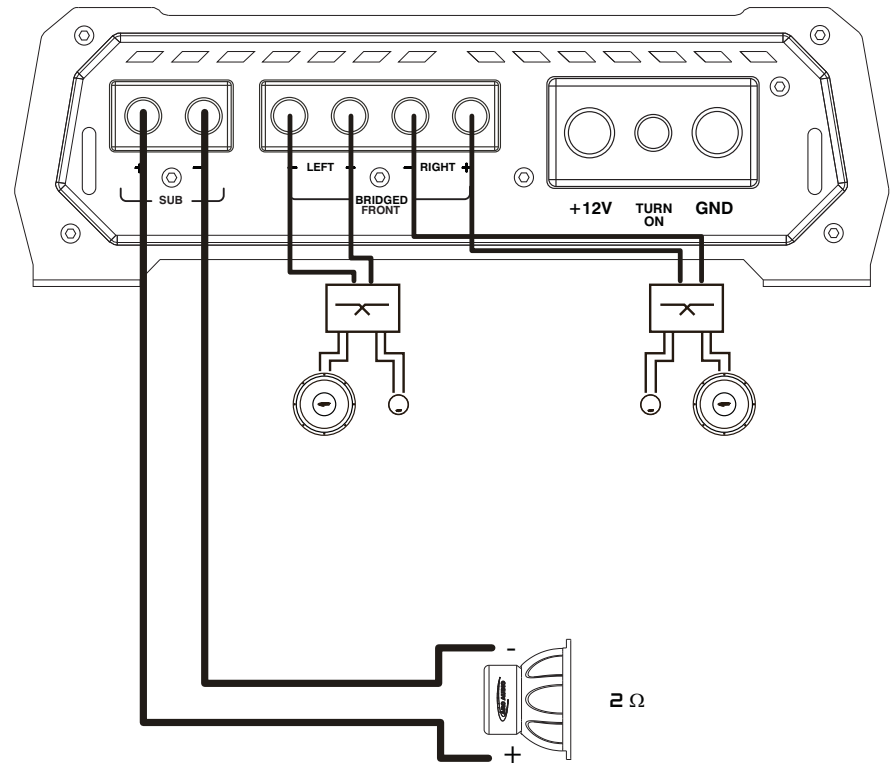
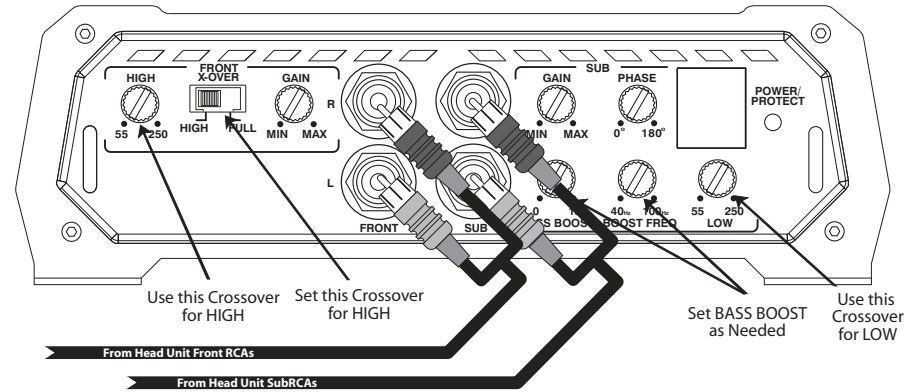
	<i>XD: 803</i>	<i>XD: 804</i>	<i>XD: 805</i>	<i>XD: 6001</i>	<i>XD: 10001</i>	<i>XD: 20001</i>
POWER OUTPUT @ 4 Ω	80 X 2 240 X 1	80 X 4	80 X 4 240 X 1	250 X 1	375 X 1	650 X 1
POWER OUTPUT @ 2 Ω	120 X 2 400 X 1	120 X 4	120 X 4 400 X 1	400 X 1	650 X 1	1200 X 1
POWER OUTPUT @ 1 Ω	NOT RECOMMENDED	NOT RECOMMENDED	NOT RECOMMENDED	600 X 1	1000 X 1	2000 X 1
POWER OUTPUT @ 4 Ω BRIDGED	240 X 1	240 X 2	240 X 2	N/A	N/A	N/A
POWER OUTPUT @ 2 Ω BRIDGED	NOT RECOMMENDED	NOT RECOMMENDED	NOT RECOMMENDED	N/A	N/A	N/A
TOTAL HARMONIC DISTORTION	.08%	.07%	.08%	.03%	.03%	.03%
S/N RATIO (A WTG) REF 1W AT 4 Ω	79dB	79dB	79dB	65dB	65dB	65dB
GAIN RANGE	0.25V - 4.0V	0.25V - 4.0V	0.25V - 4.0V	0.25V - 4.0V		
CROSSOVER RANGE	HIGH 55Hz - 250Hz LOW 55Hz - 250Hz			LOW 55Hz - 250Hz		
FREQUENCY RANGE	20Hz - 20KHz			20Hz - 250Hz		
BASS BOOST	Quasi Parametric Bass EQ +15dB @ 40Hz to 100Hz	0dB - +15dB @ 45Hz	Quasi Parametric Bass EQ +15dB @ 40Hz to 100Hz	Quasi Parametric Bass EQ +15dB @ 40Hz to 100Hz		

We reserve the right to change individual specifications at any time without prior notice.

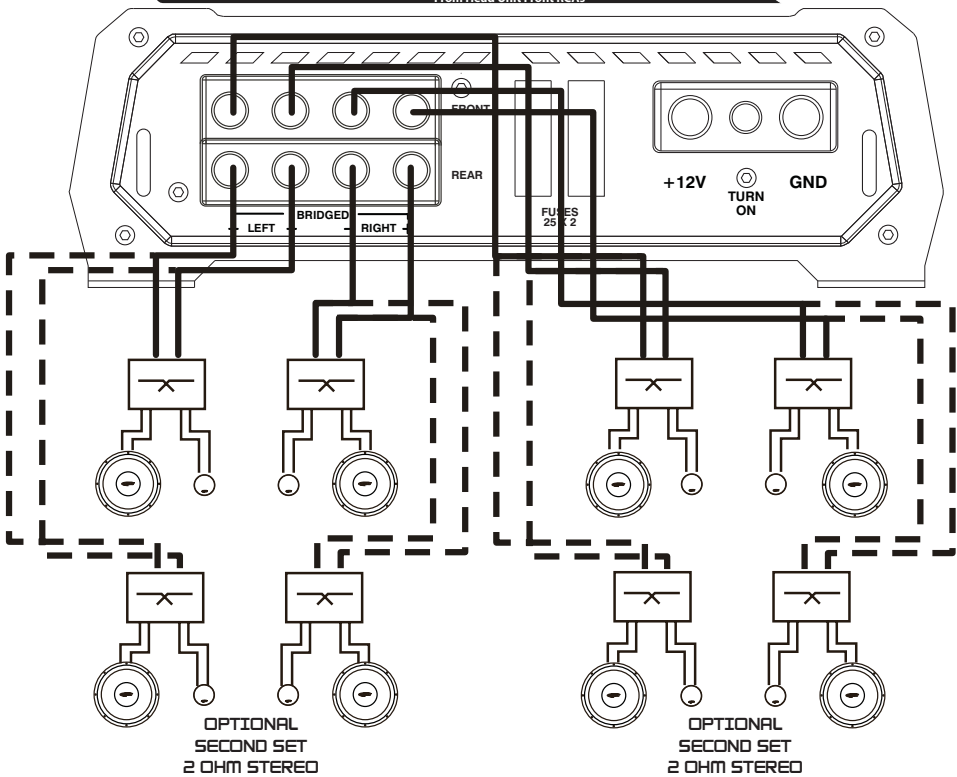
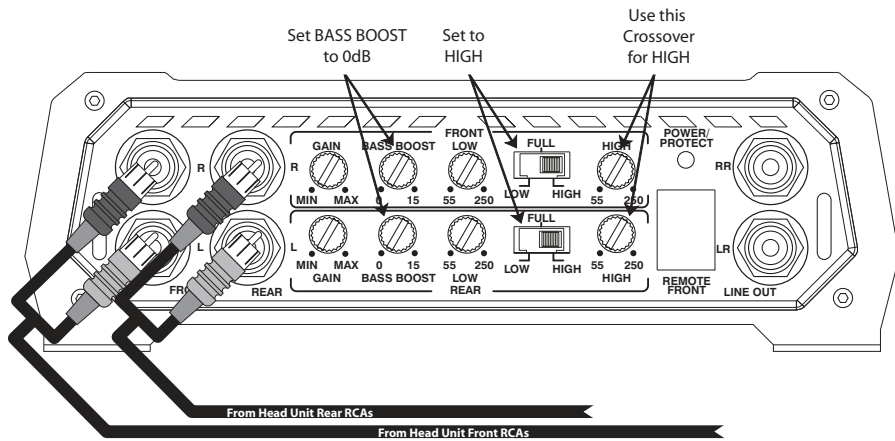
XDi803
STEREO 4 Ω CHANNEL HIGH PASS
With SUBWOOFER



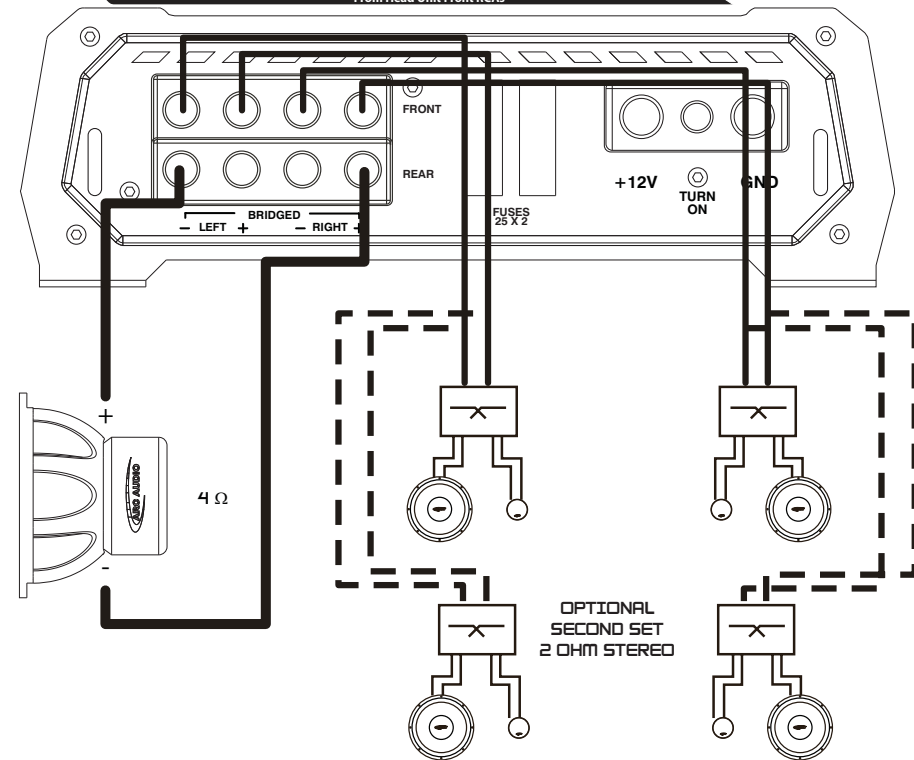
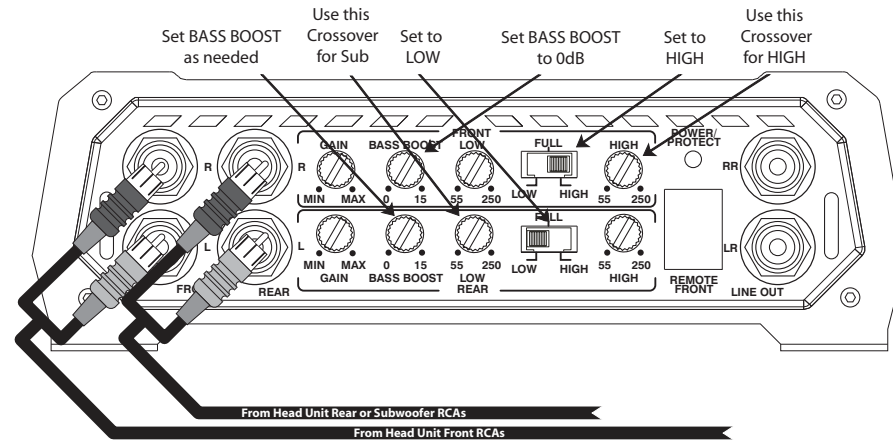
XDi803
STEREO 2 Ω CHANNEL HIGH PASS
With SUBWOOFER



XDi408 STEREO 4 CHANNEL HIGH PASS



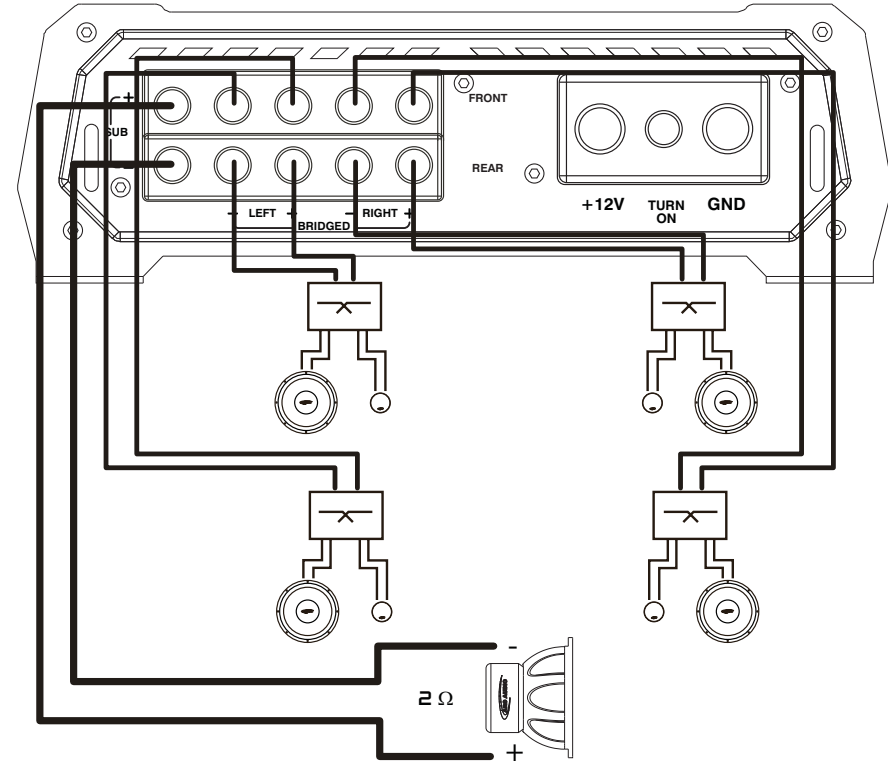
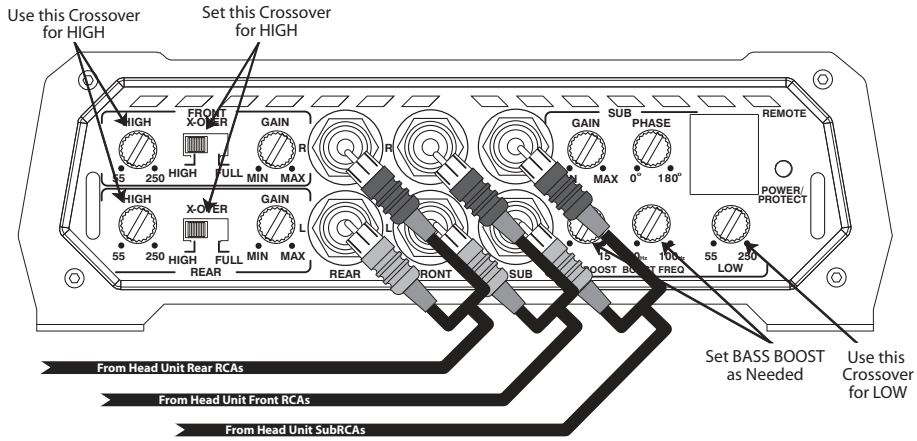
XDi408 STEREO HIGH PASS With MONO SUBWOOFER



XDi805

STEREO 4 CHANNEL HIGH PASS

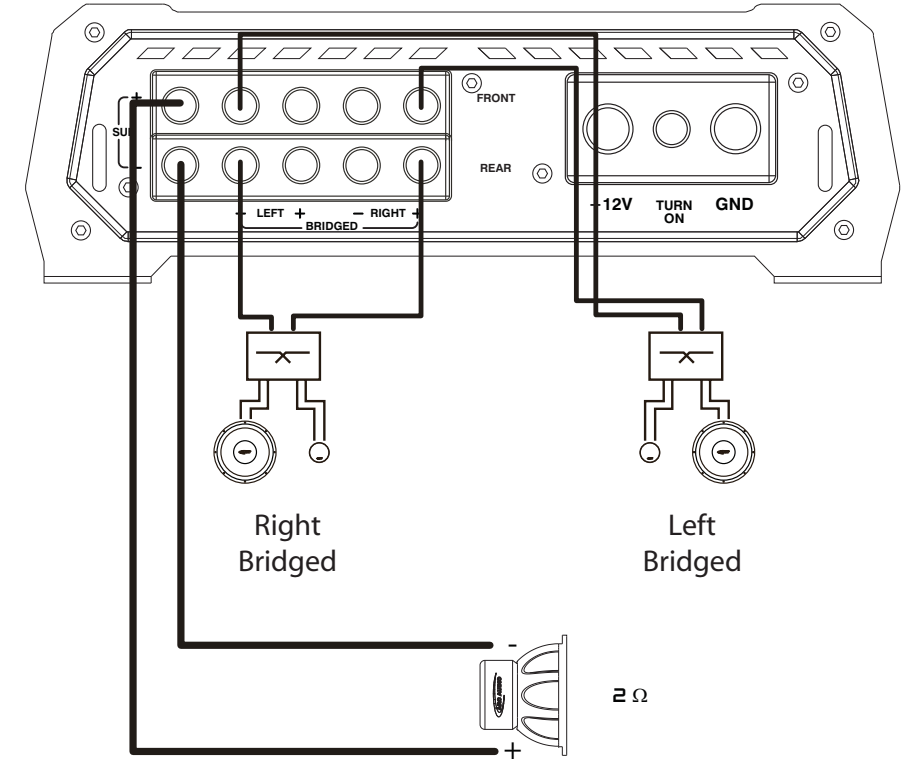
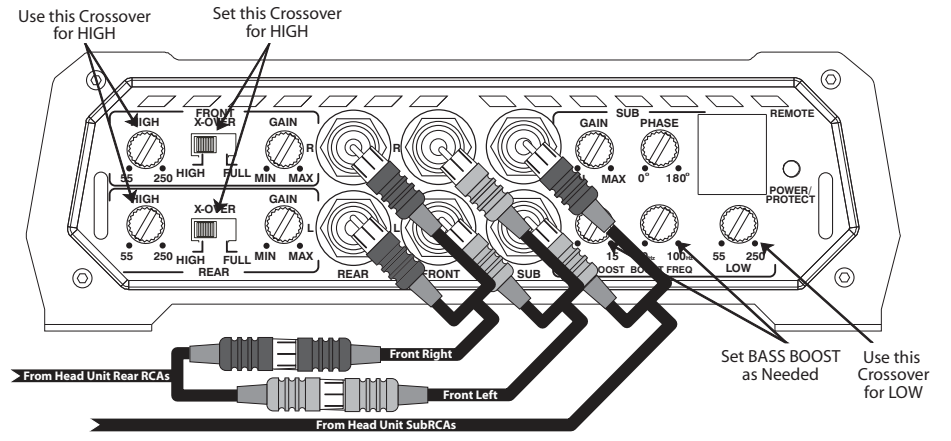
With SUBWOOFER



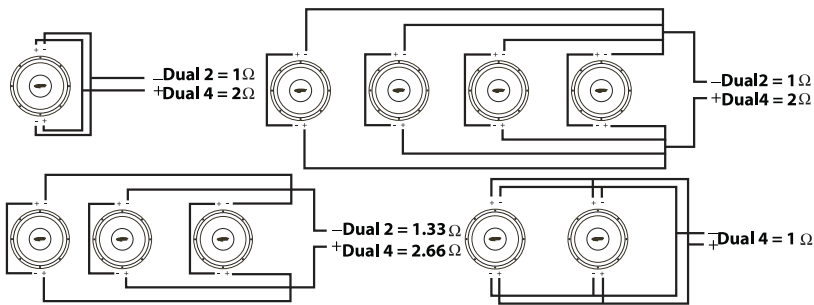
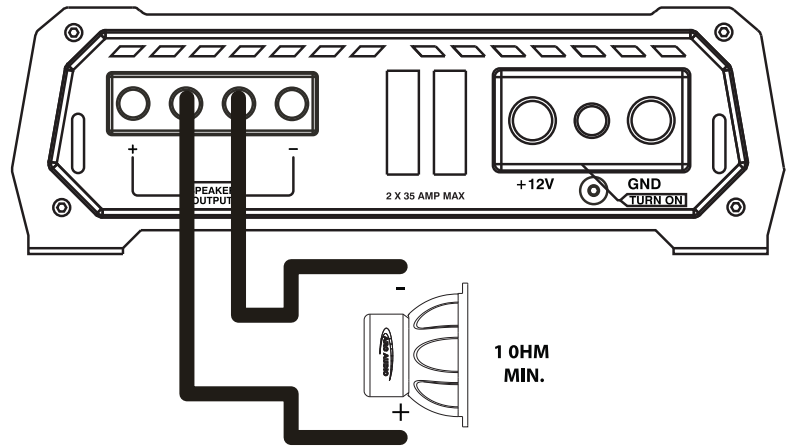
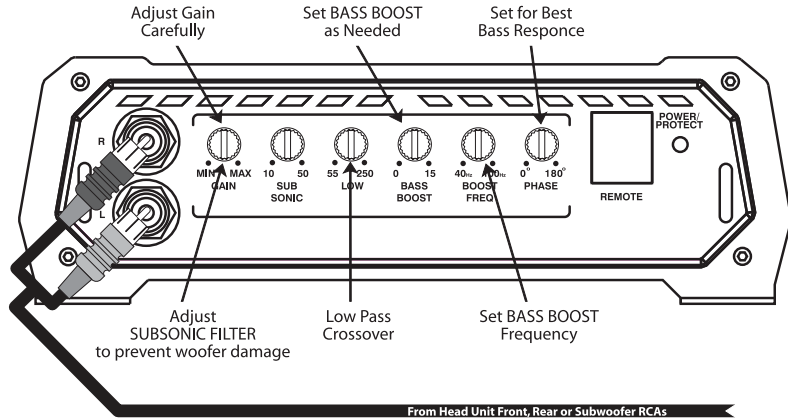
XDi805

STEREO 2 CHANNEL HIGH PASS

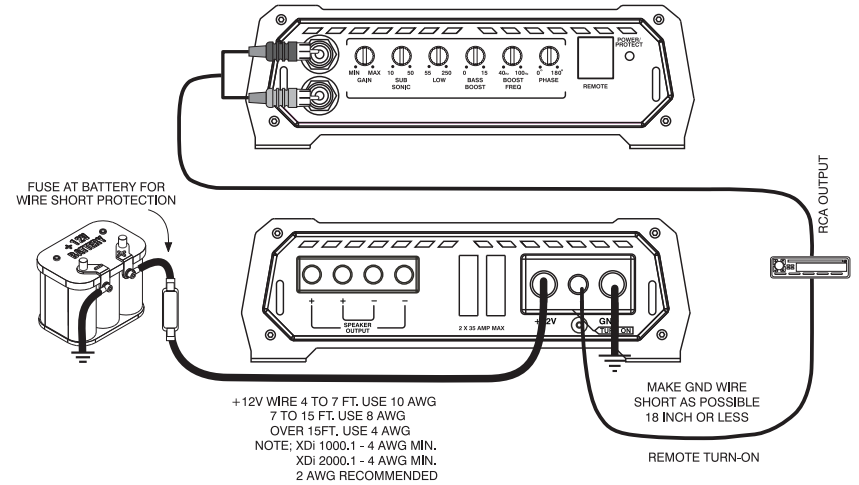
With SUBWOOFER



XD*i* 600.1 XD*i* 1000.1 XD*i* 2000.1
1 OHM STABLE CLASS D
SUBWOOFER AMPLIFIER



XD*i*
TYPICAL POWER WIRING
for all models



DIMENSIONS

